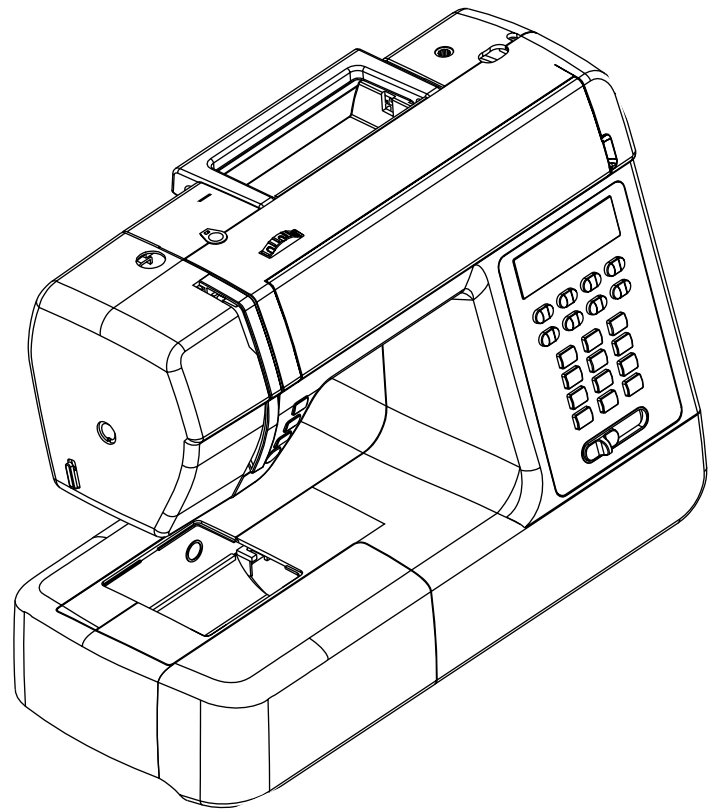
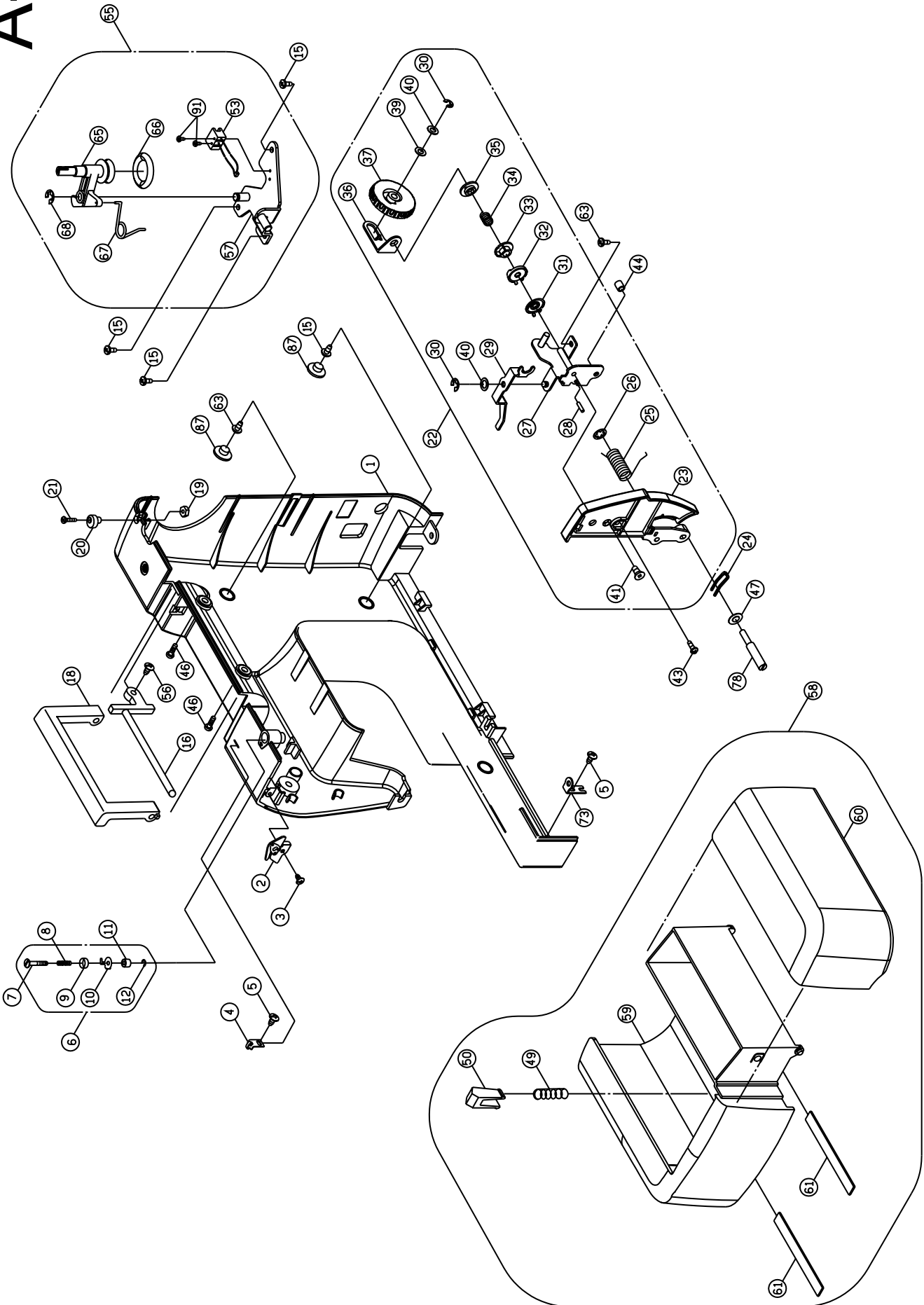


PARTS LIST



C10/20

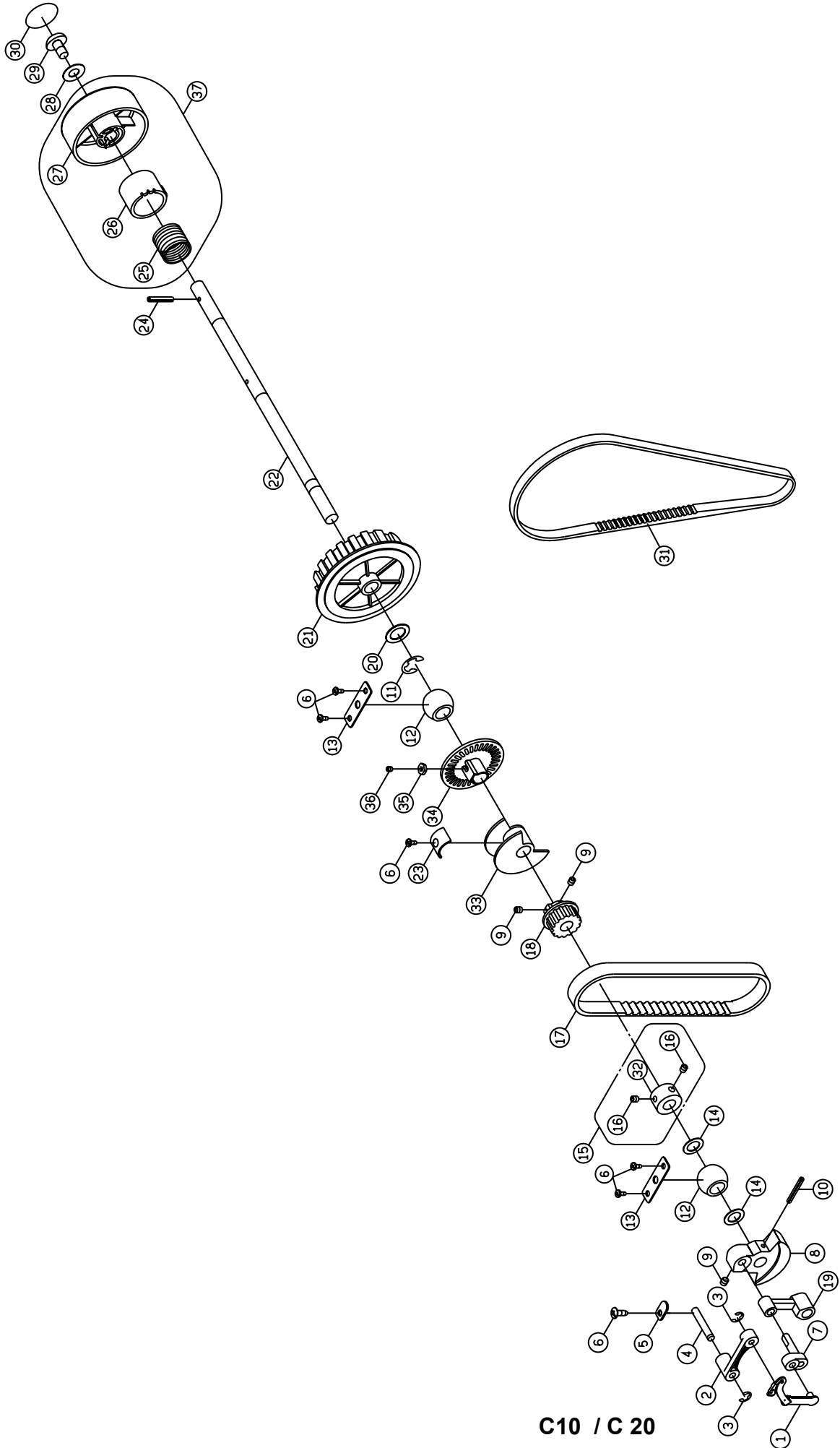
A-2



No.	Part No.	Description
1	416 13 81-01	Back cover(USA)
1	416 13 80-01	Back cover(EUROPE)
2	416 16 78-01	Thread guide complete
3	416 11 99-01	Set screw (M3×12B)
4	416 14 55-01	Thread guide
5	416 11 96-01	Set screw (M3×8.5)
6	416 14 81-01	Bobbin winder thread guide complete
7	416 16 81-01	Bobbin winder thread guide adjusting
8	416 15 24-01	Bobbin winder thread guide spring
9	416 15 23-01	Bobbin winder spring disc
10	416 16 82-01	Bobbin winder thread guide
11	416 14 65-01	Spacer
12	416 11 60-01	E-Ring (ETW-3)
13	416 12 20-01	Set screw (M4×25A)
14	416 13 27-01	Up & down fixed leading wire
15	416 12 15-01	Set screw (M4×8A)
16	416 16 94-01	Spool rod
17	416 12 31-01	Set screw (M4×12A)
18	416 14 48-01	Handle
19	416 12 63-01	Nut (9/64×40 t=3)
20	416 14 66-01	Bobbin winder stopper
21	416 17 40-01	Set screw (9/64×40×16)
22	416 14 04-01	Dial tension complete
23	416 13 94-01	Dial tension supporter plate cover
24	416 17 13-01	Thread guide
25	416 14 90-01	Thread guide spring
26	416 11 68-01	CS ring
27	416 14 60-01	Dial tension supporter plate
28	412 17 41-01	Spring pin (ø3×10×0.6)
29	416 14 57-01	Dial tension waft plate
30	416 11 61-01	E-Ring (ETW-4)
31	416 11 61-01	Dial tension disc
32	416 15 36-01	Dial tension disc (1)
33	416 15 67-01	Dial tension spring regulator
34	416 15 59-01	Dial tension spring
35	416 15 38-01	Dial tension regulator
36	416 16 25-01	Dial tension spring plate
37	416 16 01-01	Dial tension knob
39	416 12 60-01	Washer (WW-5)
40	416 12 45-01	Washer (5.2×10×0.5)
41	416 12 19-01	Set screw (M4×6D)
42	416 14 03-01	Pattern cover
43	416 12 17-01	Set screw (M4×15B)
44	416 12 17-01	Dial tension guide spring tube
46	416 12 22-01	Set screw (M4×10B)
47	416 12 41-01	Washer
48	416 18 26-01	Row line (1)
49	416 15 07-01	Sewing table body guide spring
50	416 15 06-01	Sewing table body guide
51	416 14 00-01	Front plate
52	416 13 98-01	Numeral knob
53	416 13 11-01	Micro switch
54	416 12 11-01	Set screw (M4×10B)

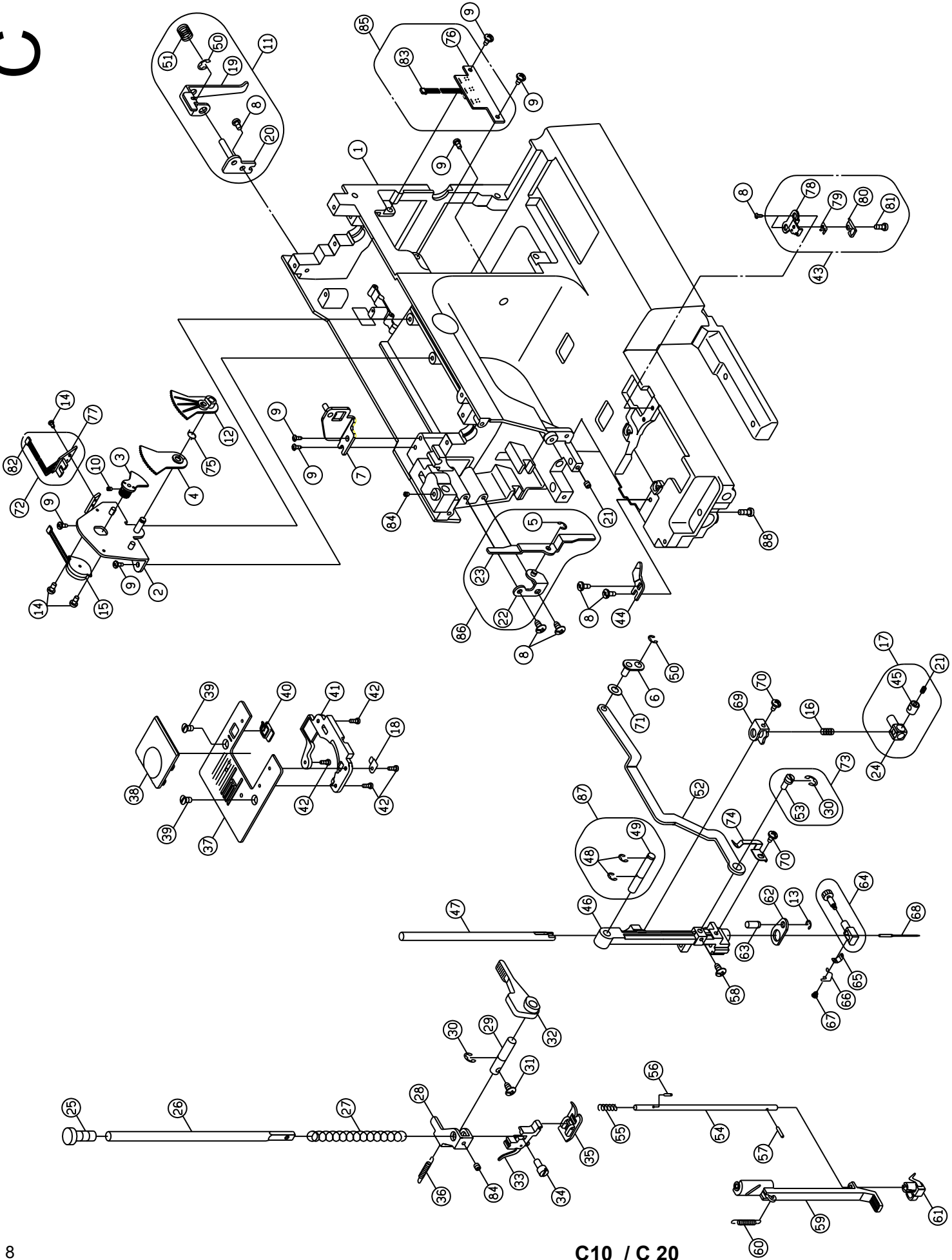
No.	Part No.	Description
55	416 13 65-01	Bobbin winder complete
56	416 12 04-01	Set screw (M3×1.06 B)
57	416 13 64-01	Bobbin winder frame
58	416 13 73-01	Sewing table complete
59	416 13 72-01	Sewing table body
60	416 13 74-01	Sewing table body cover
61	416 14 49-01	Sewing table body felt
62	416 12 07-01	Set screw (M3×12)
63	416 12 12-01	Set screw (M4×6B)
64	416 14 47-01	Free arm foot bush
65	416 16 97-01	Bobbin winder crank complete
66	416 14 93-01	Bobbin winder rubber pulley
67	416 17 12-01	Bobbin winder crank spring
68	416 11 66-01	E-Ring (ETW-5)
69	416 14 83-01	Free arm base
71	416 13 90-01	Face plate
72	416 13 96-01	Front cover
73	416 14 45-01	Arm back cover set plate
74	416 14 01-01	Key plate leading wire (C10)
74	416 14 02-01	Key plate leading wire (C20)
75	416 13 25-01	LCD & Key plate
76	416 17 25-01	Thread cutter
77	416 12 16-01	Set screw (M4×12B)
78	416 12 32-01	Set screw (M4)
79	416 13 26-01	Up & down fixed position switch(FOR THREE BUTTON)
80	416 14 44-01	Arm front cover set plate
81	416 14 51-01	Arm top cover thread guide plate
82	416 13 97-01	Start/stop/Reverse push button
83	416 13 23-01	Slide volume complete
84	416 13 91-01	Slide volume knob (for Electronic)
85	416 15 62-01	Slide volume knob connector
86	416 13 63-01	Cord reel cover
87	416 14 91-01	Plug
89	416 13 99-01	Function select key
91	416 11 91-01	Set screw (M2×7.5)

B



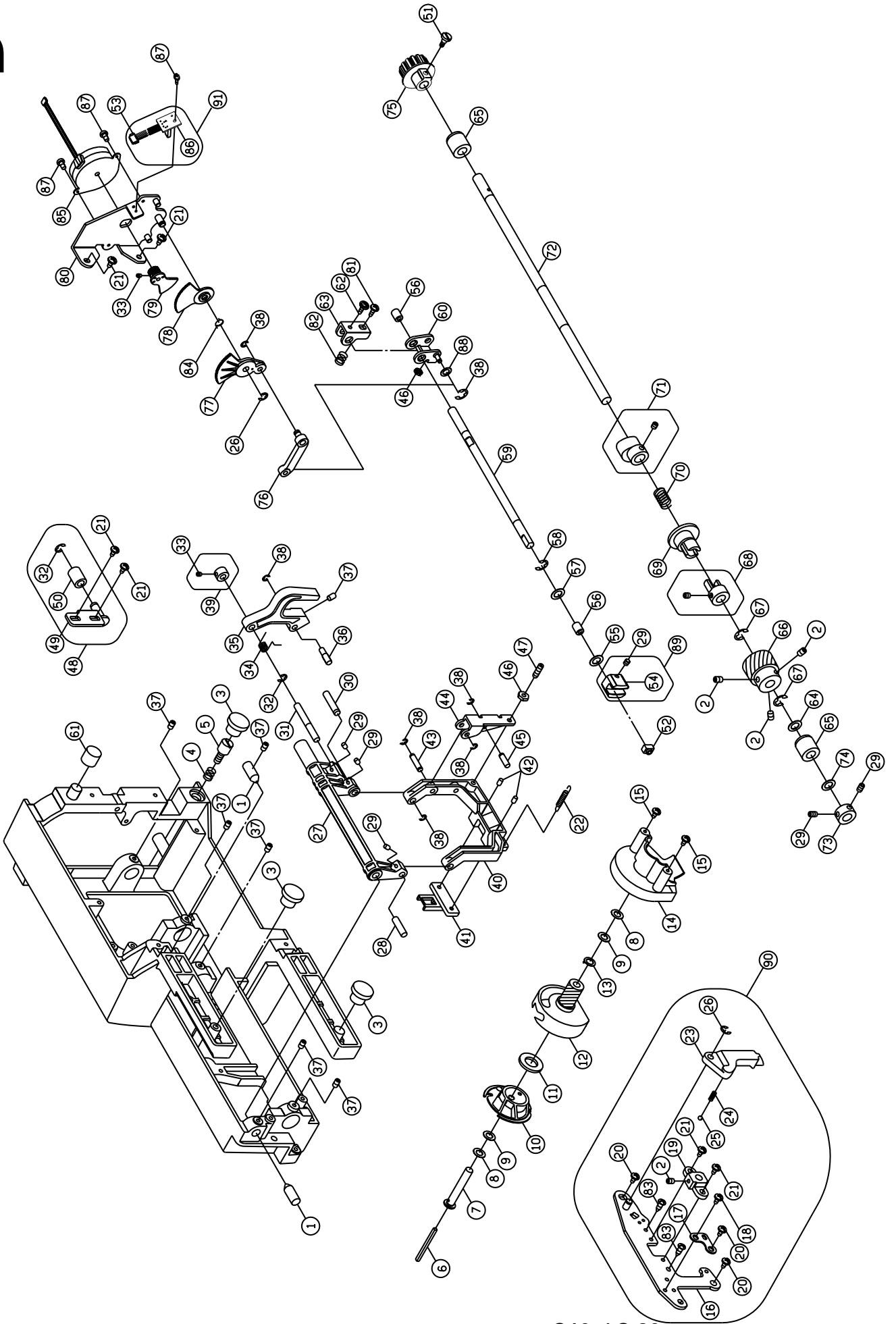
No.	Part No.	Description
1	416 14 79-01	Thread take up lever complete
2	416 14 77-01	Thread take up lever supporter
3	416 11 60-01	E-Ring (ETW-3)
4	416 16 22-01	Thread take up lever supporter shaft
5	416 15 22-01	Set washer
6	416 12 15-01	Set screw (M4×8A)
7	416 14 78-01	Arm shaft balance pin complete
8	416 14 61-01	Arm shaft balance
9	416 12 21-01	Set screw (M4×6)
10	416 11 77-01	Arm shaft balance pin (ø3.5×24)
11	416 11 65-01	E-Ring (ETW-9)
12	416 15 63-01	Arm shaft bushing
13	416 14 76-01	Arm shaft bushing holder plate
14	416 12 51-01	Endure attrition washer
15	416 15 64-01	Arm shaft collar complete
16	416 12 36-01	Set screw (M5×5)
17	416 14 05-01	Motor drive belt
18	416 15 00-01	Arm shaft sprocket
19	416 15 01-01	Needle bar crank rod
20	416 12 47-01	Washer (10.2×15×0.5)
21	416 14 85-01	Arm shaft drive belt pulley
22	416 13 31-01	Arm shaft
23	416 13 33-01	Arc washer
24	416 11 76-01	Spring pin (ø3×18)
25	416 15 66-01	Arm shaft clutch annulus spring
26	416 15 67-01	Arm shaft collar
27	416 13 92-01	Hand wheel
28	416 12 44-01	Hand wheel washer (5.2×16×1.0)
29	416 18 28-01	Set screw (M5×10)
30	416 15 92-01	Hand wheel decorated plate
31	416 12 93-01	Motor drive belt (163XXL6.1)
32	416 15 65-01	Arm shaft collar
33	416 13 32-01	Rotary sensor collar
34	416 12 96-01	Revolution control panel
35	416 12 65-01	Nut (M4 t=3)
36	416 12 10-01	Set screw (M4×5)
37	416 13 93-01	Hand wheel complete

C



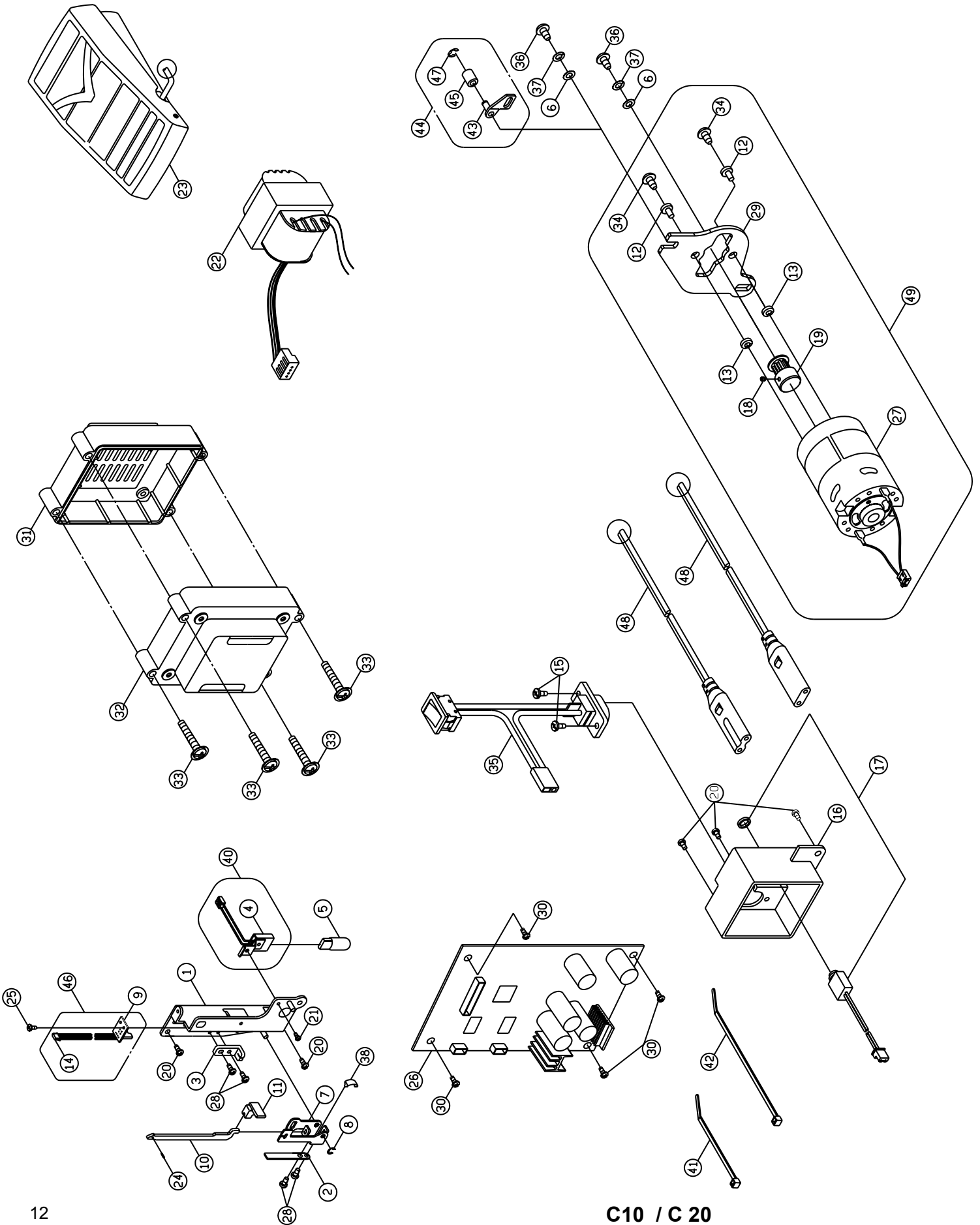
No.	Part No.	Description	No.	Part No.	Description
2	416 13 35-01	Zig zag pulse motor plate	59	416 14 08-01	Auto threaded lever
3	416 13 36-01	Pulse motor gear	60	416 15 50-01	Auto threaded lever spring
4	416 13 37-01	Zigzag crank (1)	61	416 14 58-01	Auto threaded
5	416 11 60-01	E-Ring ETW-3	62	416 14 12-01	Needle bar supporter plate
6	416 13 41-01	Needle bar driving rod plate	63	416 14 13-01	Needle bar supporter plate pin
7	416 17 03-01	Arm top cover plate	64	416 15 09-01	Needle clamp complete
8	416 12 12-01	Set screw M4×6B	65	416 15 73-01	Needle guide plate
9	416 12 15-01	Set screw M4×8A	66	416 15 10-01	Needle bar thread guide
10	416 12 00-01	Set screw M3×3	67	416 11 80-01	Set screw
11	416 16 99-01	Clutch rod complete	68	411 31 05-01	Needle #80 X10
12	416 13 38-01	Zig zag crank (2)	69	416 15 49-01	Auto threaded stopper (1)
13	416 11 61-01	E-Ring ETW-4	70	416 11 92-01	Set screw M3×6A
14	416 12 06-01	Set screw M3×5A	71	416 12 48-01	Washer (5×10×0.5)
15	416 13 28-01	Pulse motor complete	72	416 13 15-01	Photo sensor complete
16	416 15 16-01	Tension lever lifter spring	73	416 14 68-01	Needle bar driving rod pin
17	416 15 08-01	Needle bar bracket complete	74	416 17 39-01	Needle bar driving rod spring plate
18	416 14 75-01	Needle plate spring	75	416 13 39-01	crank spring
19	416 17 01-01	Clutch rod	76	416 13 05-01	Photo sensor plate
20	416 17 00-01	Clutch rod plate	77	416 13 01-01	Photo sensor plate (zig zag)
21	416 12 24-01	Set screw M4×4	78	416 14 41-01	Rotary hook plate (2)
22	416 14 15-01	Movement plate supporter (1)	79	416 14 99-01	Rotary hook plate spring (2)
23	416 14 16-01	Movement plate	80	416 14 98-01	Rotary hook plate spring (1)
24	416 15 11-01	Needle bar bracket (1)	81	416 11 90-01	Set screw (M2×2.5)
25	416 17 19-01	Presser bar regulating screw	82	416 13 07-01	Zig zag wire
26	416 14 09-01	Presser bar	83	416 13 06-01	Photo sensor wire
27	416 14 69-01	Presser bar spring	84	416 12 10-01	Set screw (M4×5)
28	416 14 10-01	Presser bar bracket	85	416 13 10-01	Photo sensor complete
29	416 14 56-01	Presser bar lifter lever shaft	86	416 14 14-01	Movement plate supporter complete
30	416 11 63-01	E-Ring ETW-5	87	416 14 53-01	Needle bar supporter pin complete
31	416 12 17-01	Set screw M4×15	88	416 11 95-01	Set screw (M3×12)
32	416 14 11-01	Presser bar lifter lever			
33	416 12 82-01	Shank complete			
34	416 11 84-01	Shank complete set screw			
35	416 12 75-01	Zig zag presser foot complete			
36	416 14 62-01	Presser bar bracket spring			
37	416 14 84-01	Needle plate			
38	416 15 61-01	Needle plate cover			
39	416 12 29-01	Set screw M4×6			
40	416 15 52-01	Needle plate cover open			
41	416 14 74-01	Needle plate cover			
42	416 18 29-01	Set screw SM3/32×56 L=3			
43	416 14 39-01	Rotary hook plate complete			
44	416 14 40-01	Rotary hook plate			
45	416 15 12-01	Needle bar bracket (2)			
46	416 14 06-01	Needle bar supporter			
47	416 15 54-01	Needle bar			
48	416 11 78-01	E-Ring ETW-5			
49	416 14 52-01	Needle bar supporter pin			
50	416 11 62-01	E-Ring ETW-4			
51	416 17 02-01	Clutch rod spring			
52	416 13 40-01	Needle bar driving rod			
53	416 14 67-01	Needle bar driving rod pin			
54	416 14 07-01	Auto threaded shaft			
55	416 15 74-01	Auto threaded shaft spring			
56	416 11 72-01	Spring pin 2×14			
57	416 11 71-01	Spring pin 2×6 t=0.4			
58	416 11 85-01	Set screw 9/64×40×5			

D



No.	Part No.	Description	No.	Part No.	Description
1	416 14 32-01	Feed crank shaft	56	416 15 69-01	Feed rock bushing
2	416 12 10-01	Set screw (M4×5)	57	416 12 40-01	Washer (6.7×12×1)
3	416 15 29-01	Free arm vase cushion rubber	58	416 11 66-01	E-Ring (ETW-5)
4	416 14 73-01	Base plate adjustment screw spring	59	416 13 45-01	Feed regulating shaft
5	416 15 46-01	Base plate adjustment screw	60	416 13 47-01	Feed regulating crank
6	416 15 58-01	Bobbin shaft oil cloth	61	416 14 70-01	Free arm vase cushion rubber
7	416 14 54-01	Bobbin shaft	62	416 12 08-01	Set screw (M3×0.5 L12)
8	416 15 56-01	Bobbin shaft washer (2)	63	416 13 46-01	Feed crank
9	416 12 59-01	Endure attrition washer	64	416 13 46-01	Washer (8.2×12×0.5)
10	416 14 80-01	Shuttle hook complete	65	416 14 17-01	Lower shaft bushing
11	416 15 55-01	Magnet	66	416 15 53-01	Lower shaft gear
12	416 15 60-01	Shuttle hook holder	67	416 11 64-01	E-Ring (ETW-6)
13	416 15 57-01	Bobbin shaft washer (3)	68	416 14 19-01	Feed lifting rock cam complete
14	416 14 36-01	Needle plate cover	69	416 14 18-01	Feed lifting rock cam
15	416 11 95-01	Set screw (M3×12)	70	416 14 23-01	Lower shaft spring
16	416 14 33-01	Rotary hook holder	71	416 14 22-01	Feed rock cam complete
17	416 14 33-01	Rotary hook holder positioned plate	72	416 13 34-01	Lower shaft
18	416 12 12-01	Set screw (M4×6B)	73	416 15 87-01	Lower shaft collar
19	416 14 33-01	Rotary hook supporter	74	416 13 46-01	Endure attrition washer
20	416 12 26-01	Set screw (M4×8)	75	416 14 20-01	Lower shaft belt pulley
21	416 12 15-01	Set screw (M4×8A)	76	416 13 61-01	Feed rock rod
22	416 14 64-01	Feed dog frame spring	77	416 13 43-01	Feed rock crank (1)
23	416 14 37-01	Feed lifting shaft	78	416 13 44-01	Feed rock crank (2)
24	416 14 50-01	Feed lifting shaft spring	79	416 13 36-01	Pulse motor gear
25	416 15 21-01	Steel ball	80	416 13 44-01	Pulse support plate
26	416 11 62-01	E-Ring (ETW-4)	81	416 12 34-01	Feed regulating crank set screw
27	416 14 26-01	Feed rock shaft	82	416 13 48-01	Feed regulating crank spring
28	416 14 27-01	Feed rock frame shaft (2)	83	416 11 95-01	Set screw (M3×12)
29	416 12 24-01	Set screw (M4×4)	84	416 13 39-01	Zig zag width feed rock crank spring
30	416 14 29-01	Feed rock frame shaft (1)	85	416 13 28-01	Pulse motor complete
31	416 13 56-01	Feed rock bushing pin	86	416 13 01-01	Photo sensor plate
32	416 11 61-01	E-Ring (ETW-4)	87	416 12 06-01	Set screw (M3×5A)
33	416 12 00-01	Set screw (M3×3)	88	416 12 41-01	Washer (4.2×8×0.8)
34	416 13 50-01	Feed shaft spring	89	416 13 62-01	Feed regulating complete
35	416 13 49-01	Feed rock crank	90	416 14 38-01	Rotary hook holder complete
36	416 14 95-01	Feed rock crank pin	91	416 13 12-01	Photo sensor complete
37	416 12 21-01	Set screw (M4×6)			
38	416 11 60-01	E-Ring (ETW-3)			
39	416 14 94-01	Feed rock shaft collar			
40	416 14 28-01	Feed rock frame			
41	416 14 82-01	Feed dog			
42	416 11 82-01	Set screw (1/8×44×5)			
43	416 14 30-01	Feed lifting rock crank pin (1)			
44	416 14 86-01	Feed lifting rock crank			
45	416 14 30-01	Feed lifting rock crank pin (2)			
46	416 12 68-01	Adjusting nut (ALN-4)			
47	416 12 27-01	Feed back crank screw			
48	416 14 24-01	Belt adjusting plate complete			
49	416 14 25-01	Belt adjusting plate			
50	416 15 20-01	Belt adjusting plate pulley			
51	416 15 20-01	Set screw (M3×14.5)			
52	416 15 20-01	Feed regulating block			
53	416 13 08-01	Feed wire			
54	416 14 97-01	Feed regulating			
55	416 12 56-01	Endure attrition washer			

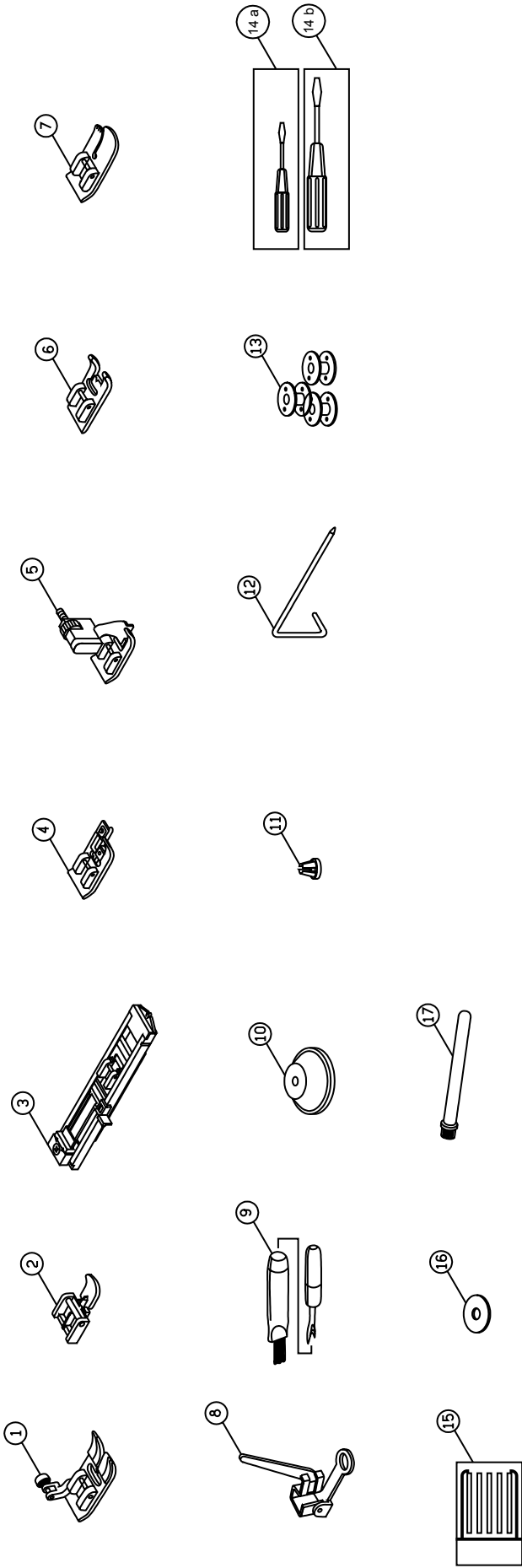
E



No.	Part No.	Description
1	416 13 51-01	BH lever plate
2	416 13 54-01	BH lever crank spring
3	416 13 53-01	BH movement crank
4	416 13 57-01	Lamp receptacle
5	411 78 10-01	Lamp (12V 5W)
6	416 12 43-01	Washer (5.4×10×0.9)
7	416 13 52-01	BH lever crank
8	416 11 60-01	E-Ring (ETW-3)
9	416 13 00-01	Photo sensor plate
10	416 14 43-01	BH lever
11	416 14 87-01	BH lever button
12	416 12 95-01	Insulation spacer
13	416 14 88-01	Insulation spacer
14	416 13 09-01	Photo sensor wire
15	416 11 99-01	Set screw (M3×12)
16	416 12 98-01	Receptacle holder
17	416 12 99-01	Controller receptacle
18	416 12 01-01	Set screw (M3×3)
19	416 11 59-01	Motor wheel
20	416 12 15-01	Set screw (M4×8A)
21	416 11 92-01	Set screw (M3×6A)
22	416 15 13-01	Transformer(230V)
22	416 11 58-01	Transformer(120V)
22	416 11 56-01	Transformer(100V)
22	416 13 21-01	Transformer(240V)
23	416 11 37-01	Foot controller (C-9000)
24	416 11 37-01	Spring pin (ø1.6×5)
25	416 12 06-01	Set screw (M3×5A)
26	416 13 24-01	Main circuit board complete(C10)
26	416 13 29-01	Main circuit board complete(C20)
27	416 11 38-01	MG Motor complete (YA3300-5)
28	416 11 94-01	Set screw (M3×5B)
29	416 13 55-01	Motor bracket
30	416 12 16-01	Set screw (M4×12B)
31	416 13 67-01	Transformer cover (1)
32	416 13 68-01	Transformer cover (2)
33	416 12 33-01	Set screw (M4×50)
34	416 12 02-01	Set screw (M3×10A)
35	416 11 53-01	Switch receptacle ass'y (120V)
	416 18 53-01	Switch receptacle ass'y (230V-240V)
36	416 17 50-01	Set screw (M5×12)
37	416 12 62-01	Spring washer (5.1×9.2×1.3)
38	416 14 42-01	BH spring plate
40	416 13 58-01	Lamp receptacle complete
41	416 11 39-01	Cord clip
42	416 11 55-01	Cord clip
43	416 13 59-01	Belt adjusting plate
44	416 13 60-01	Belt adjusting plate complete
45	416 15 20-01	Belt adjusting plate pulley
46	416 13 13-01	Photo sensor complete
47	416 11 61-01	E-Ring (ETW-4)
48	412 15 78-01	Cord device 220 V N
	412 15 79-02	Cord device Japan N
	412 15 79-03	Cord device 120 V N
	412 15 80-02	Cord device England N
	412 15 81-01	Cord device Australia N
49	416 11 35-01	MG Motor complete

F-1(C10)

Standard accessories

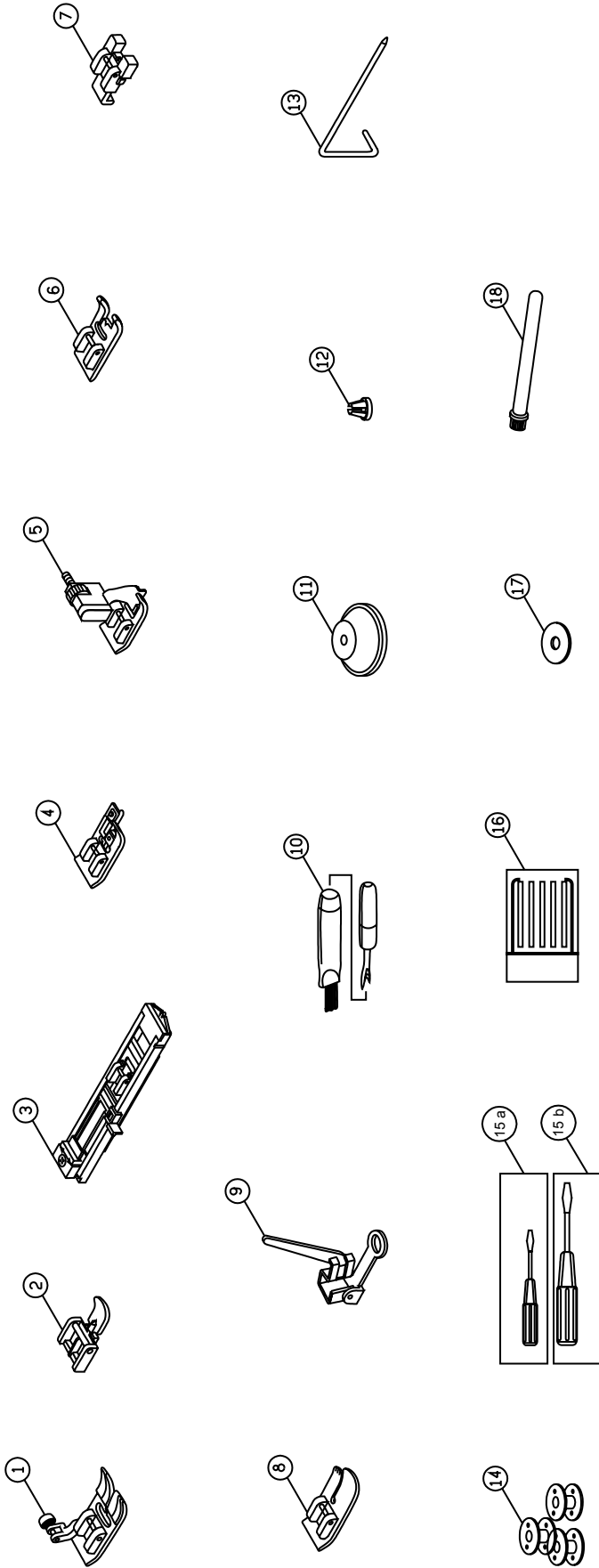


Standard accessories

No.	Part No.	Description
1	416 12 75-01	All purpose foot
2	416 12 87-01	Zipper foot (I)
3	416 12 78-01	Buttonhole foot
4	416 12 88-01	Overcastting foot (E)
5	416 12 86-01	Blind hem foot (F)
6	416 12 80-01	Satin stitch foot
7	416 12 91-01	Quilting foot
8	416 12 74-01	Darning /Embroidery foot
9	401 53 99-01	Seam ripper
	401 55 55-01	Brush
10	416 15 71-01	Spool holder (Large)
11	416 15 76-01	Spool holder (Small)
12	416 12 71-01	Seam guide
13	416 12 76-01	Bobbin
14 a	412 38 15-01	Large screw drive
14 b	412 28 90-01	Small screw drive
15	411 31 05-01	Needle #80 X10
16	416 12 73-01	Felt cushion
17	416 15 75-01	Second spool pin

F-2(C20)

Standard accessories



Standard accessories

No.	Part No.	Description
1	416 12 75-01	All purpose foot
2	416 12 87-01	Zipper foot (I)
3	416 12 78-01	Buttonhole foot
4	416 12 88-01	Overcastting foot (E)
5	416 12 86-01	Blind hem foot (F)
6	416 12 80-01	Satin stitch foot
7	416 25 84-01	Button sew on foot
8	416 12 91-01	Quilting foot
9	416 12 74-01	Darning /Embroidery foot
10	401 53 99-01	Seam ripper
	401 55 55-01	Brush
11	416 15 71-01	Spool holder (Large)
12	416 15 76-01	Spool holder (Small)
13	416 12 71-01	Seam guide
14	416 12 76-01	Bobbin
15 a	412 38 15-01	Large screw drive
15 b	412 28 90-01	Small screw drive
16	411 31 05-01	Needle #80 X10
17	416 12 73-01	Felt cushion
18	416 15 75-01	Second spool pin

